

DTG3 3 WAYS GRAVIMETRIC

GRAVIMETRIC DIVERTER VALVES are designed to divert granules, powders and pellets from one way to three ways.

Thanks to two different special executions they are also used for abrasive products and in dairy making DTG3 is an universal valve suitable for all kinds of applications with many accessories that match the customer's needs.



APPLICATIONS

- GRAVIMETRIC DISCHARGE
- POWDER
- GRANULE
- PELLETS
- DIVERTERS
- MOCA - EC1935/2004

DESIGN

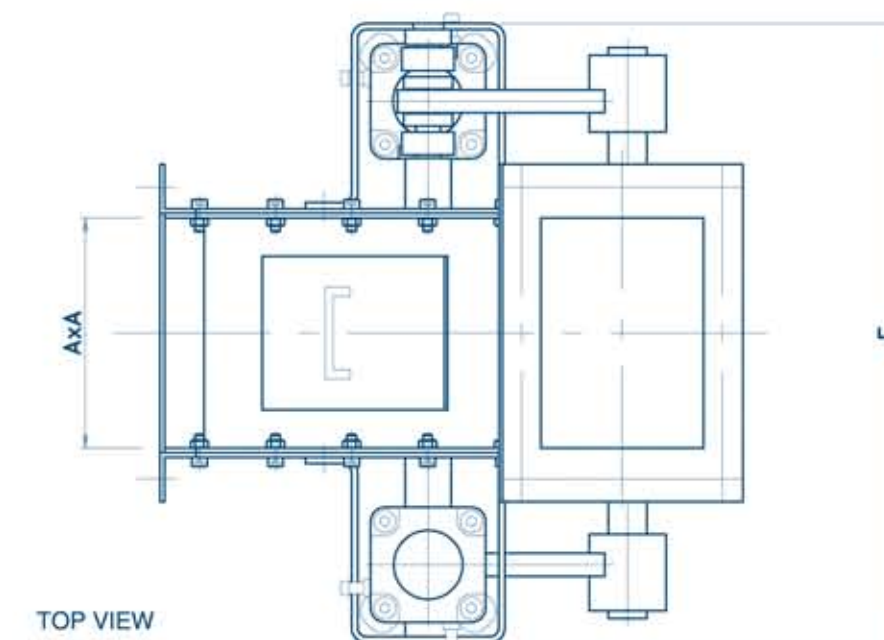
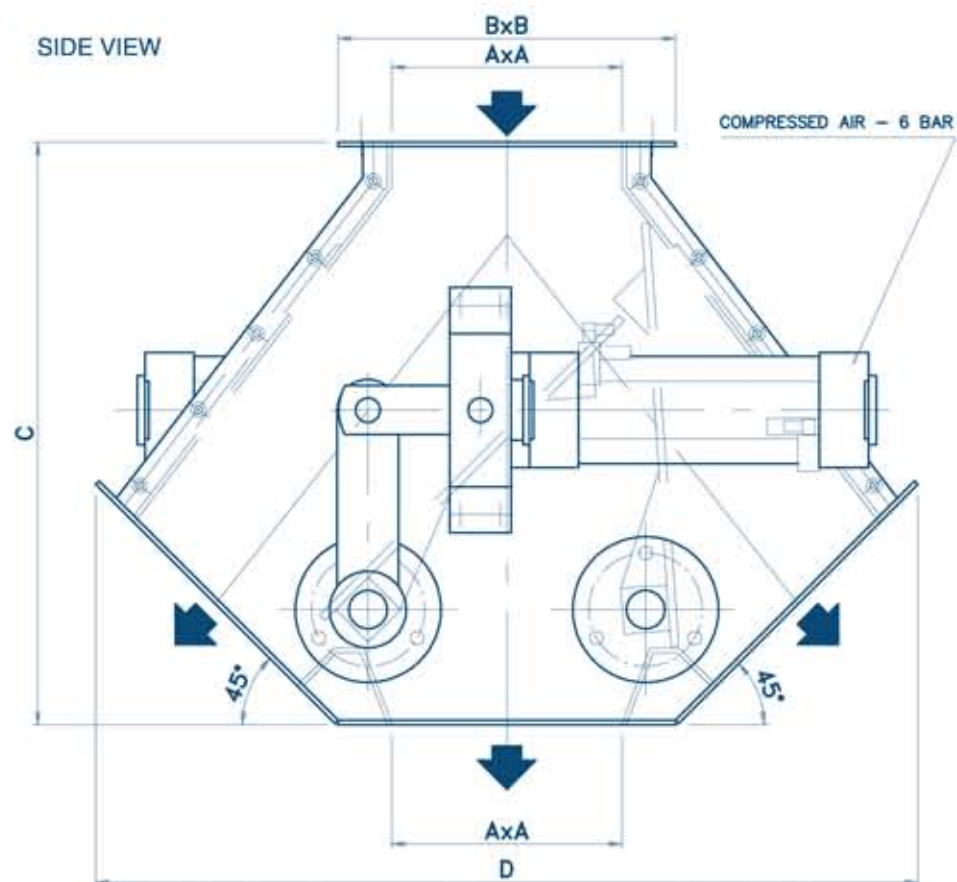
- SIZE: DN150, DN200, DN 250
- BODY: CARBON STEEL, ALUMINIUM, SS304 OR SS316L
- FLAP: PAINTED CARBON STEEL, SS304 OR SS316L
- SEAL: FELT
- OPERATION: CYLINDER OR MANUAL

FEATURES

- PRESSURE: ATM
- TEMPERATURE: MAX 100 °C
- FLY SWITCH
- RUGGED DESIGN
- LONG LIFE

OPTIONALS

- SPECIAL EXECUTION FOR ABRASIVE PRODUCT
- INNER POLISHED TREATMENT
- MATERIAL ACCORDING WITH EC1935/2004
- VARIOUS CHEMICAL TREATMENT ON BODY/FLAP
- HIGH TEMPERATURE VERSION
- INSPECTION DOOR WITH SAFETY KEY
- INNER CONE FOR FLOWRATE REDUCTION
- SIZE ON REQUEST
- KIT CONNECTING PIPE



	A	B	C	D	E	WEIGHT
150	150	220	450	655	455	Kg -
200	200	270	450	655	455	Kg -
250	250	320	500	775	505	Kg -

BROCHURE



COMPLIANCE



II 3D IIC T135°C Dc X