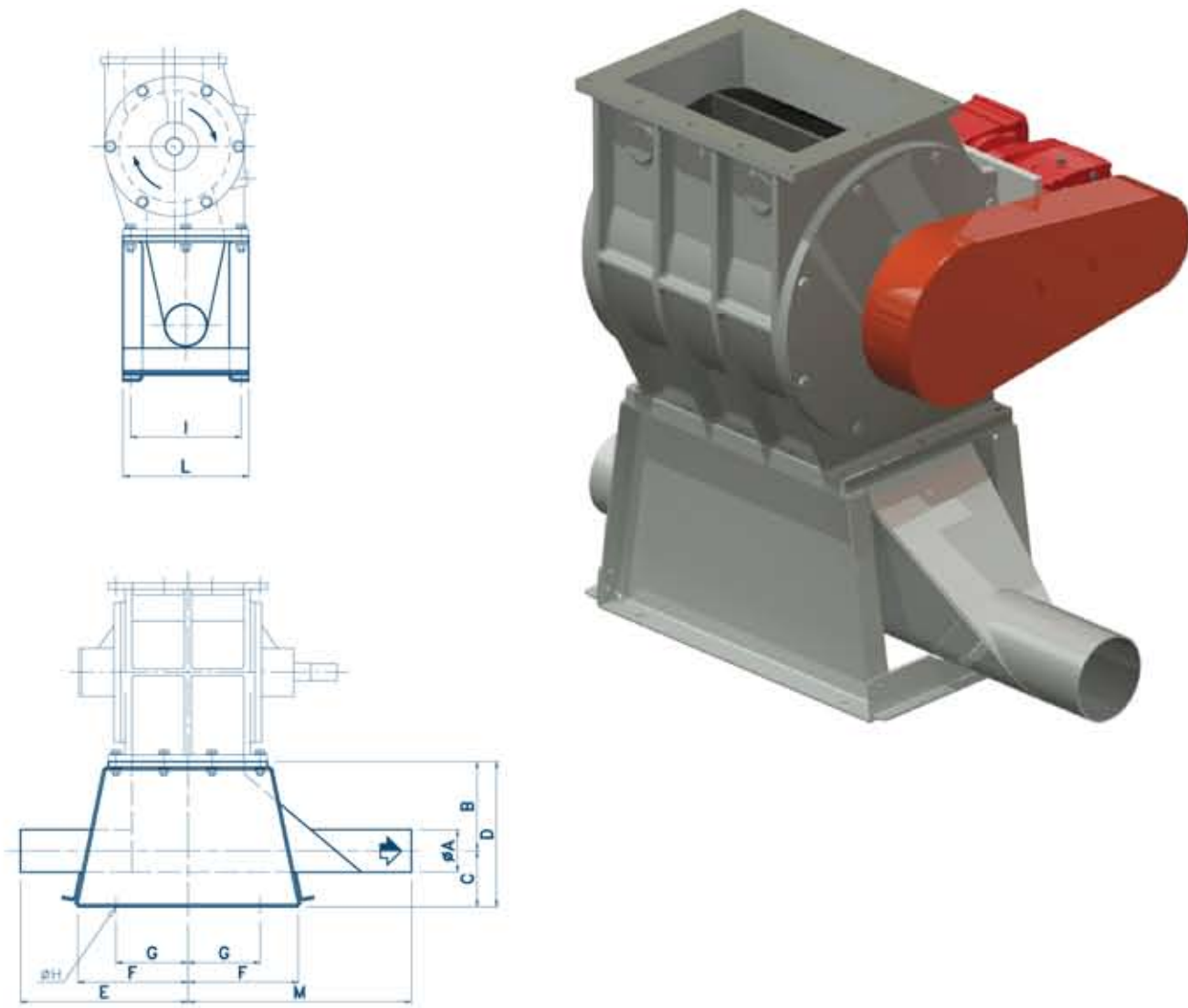
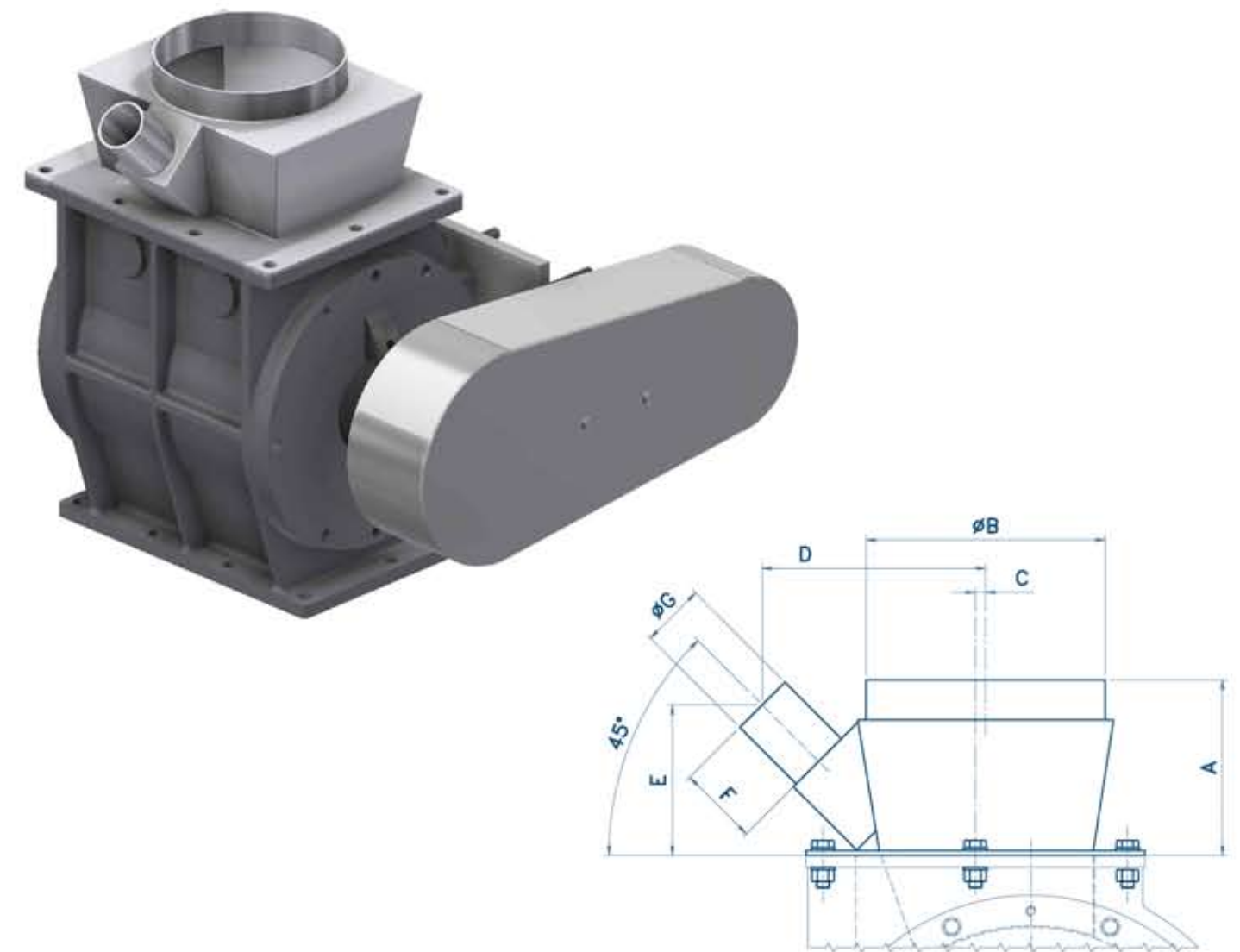


FEEDING SHOE



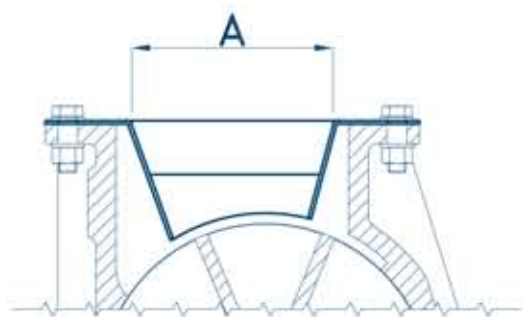
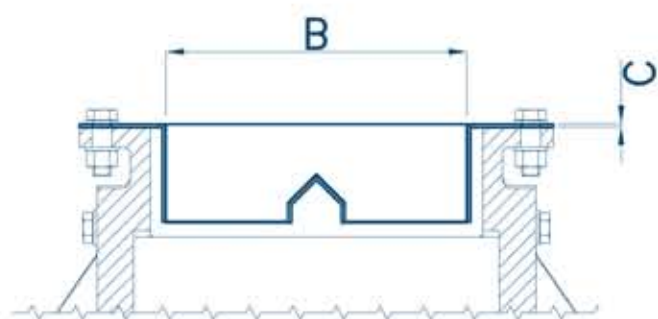
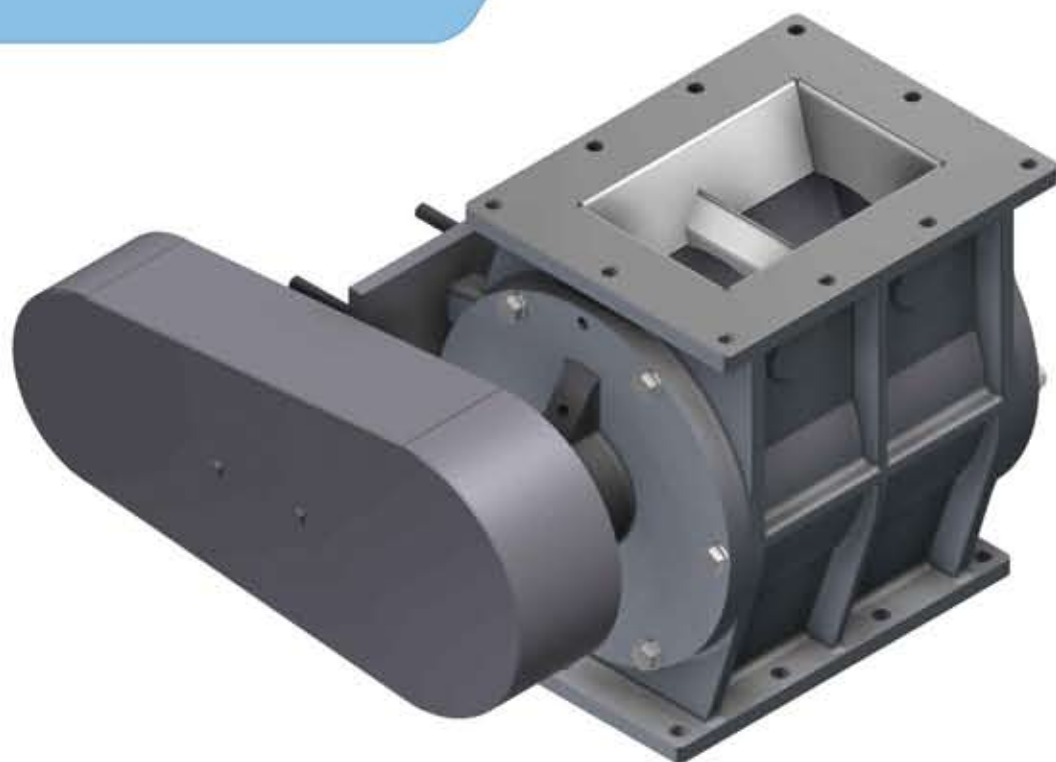
VSD	ØA		B	C	D	E	F	G	ØH	I	L	M
	MIN	MAX										
200	ø60,3x2	ø88,9x3	160	100	260	300	198	129	4xø12	198	225	400
250	ø60,3x2	ø101,6x3	160	100	260	370	223	152	4xø12	234	265	430
320	ø88,9x2	ø154,0x3	200	120	320	350	238	167	4xø14	272	305	500
400	ø101,6x2	ø154,0x3	250	125	375	425	293	220	4xø14	330	365	625
480	ø154,0x3	ø219,1x3	300	175	475	500	315	290	4xø18	382	425	700

FEEDING HOPPER



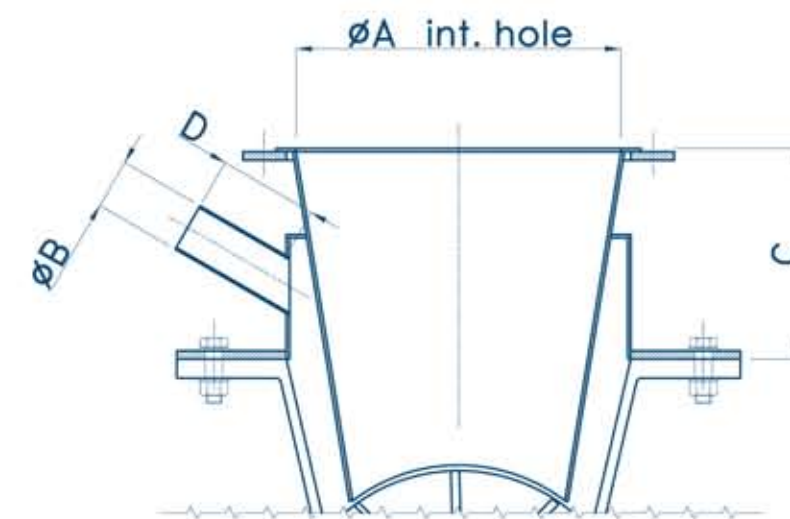
VS	A	ØB	C	D	E	F	ØG
200	200	ø150	0	180	165	80	ø60
200	200	ø200	0	190	180	80	ø60
250	200	ø200	0	195	175	80	ø60
320	200	ø200	0	205	165	80	ø60
320	200	ø250	0	220	175	80	ø60
400	220	ø250	0	250	195	100	ø80
400	220	ø300	0	265	205	100	ø80
480	220	ø250	13	270	175	100	ø80
480	220	ø300	13	280	190	100	ø80

DOSING HOPPER



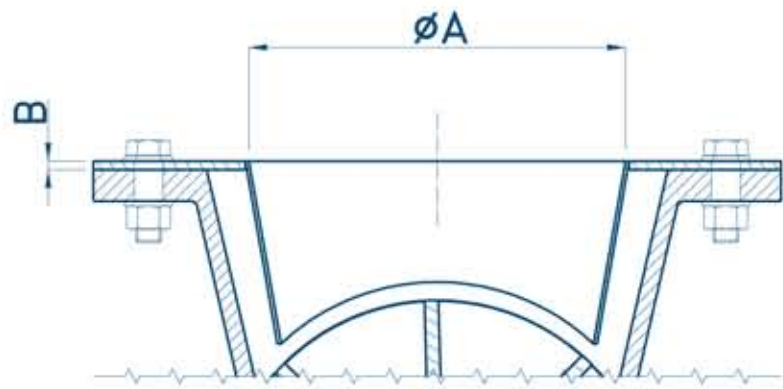
VS	A	B	C
200	125	185	2
250	145	215	2
320	185	245	2
400	245	355	2,5
480	285	430	2,5

FEEDING HOPPER



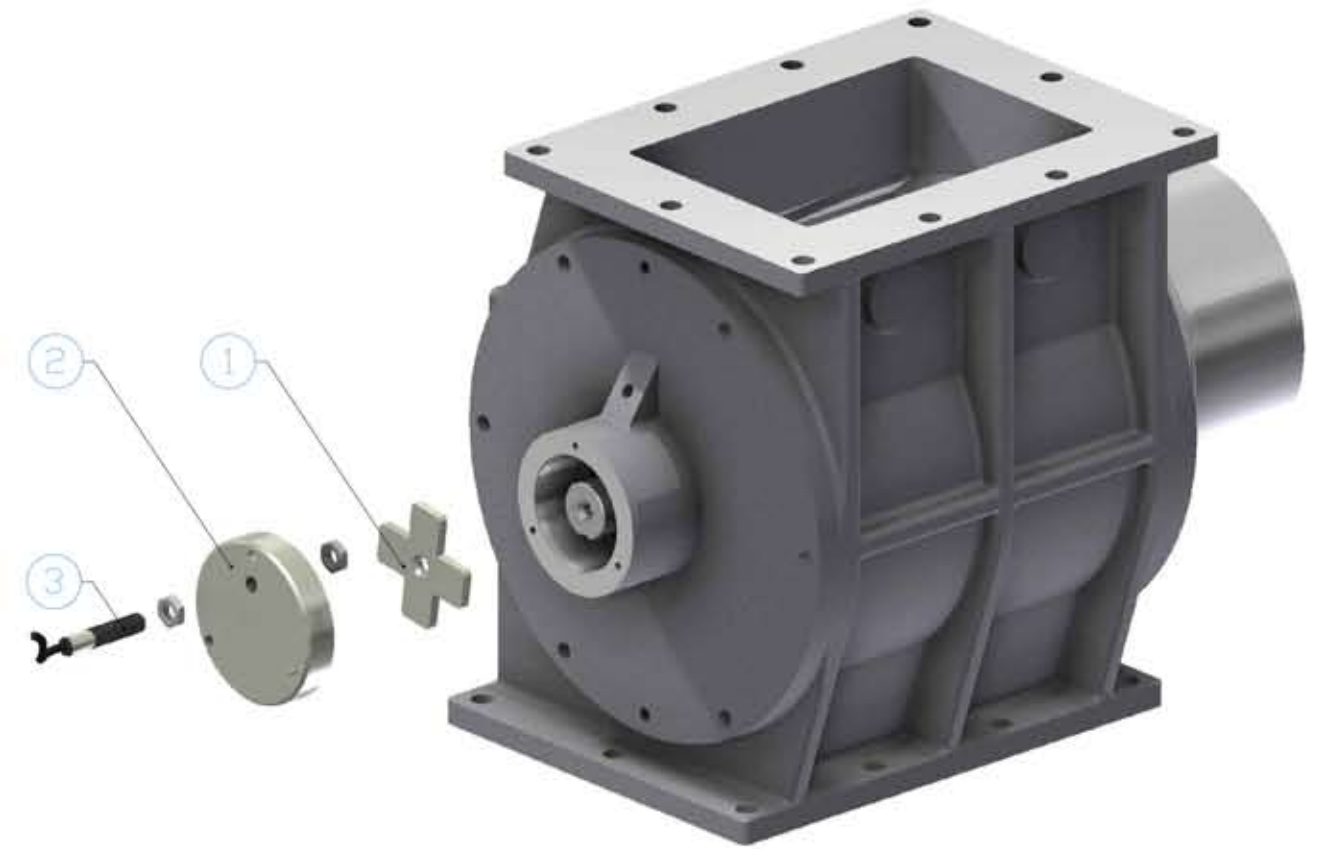
VST	A	B	C	D
150	ø106	ø33,7	90	60
200	ø200	ø33,7	170	60
250	ø269	ø40,0	170	60
320	ø296	ø60,0	185	60
400	ø326	ø80,0	220	80

DOSING HOPPER



VSD	A	B
200	ø197	3
250	ø262	3

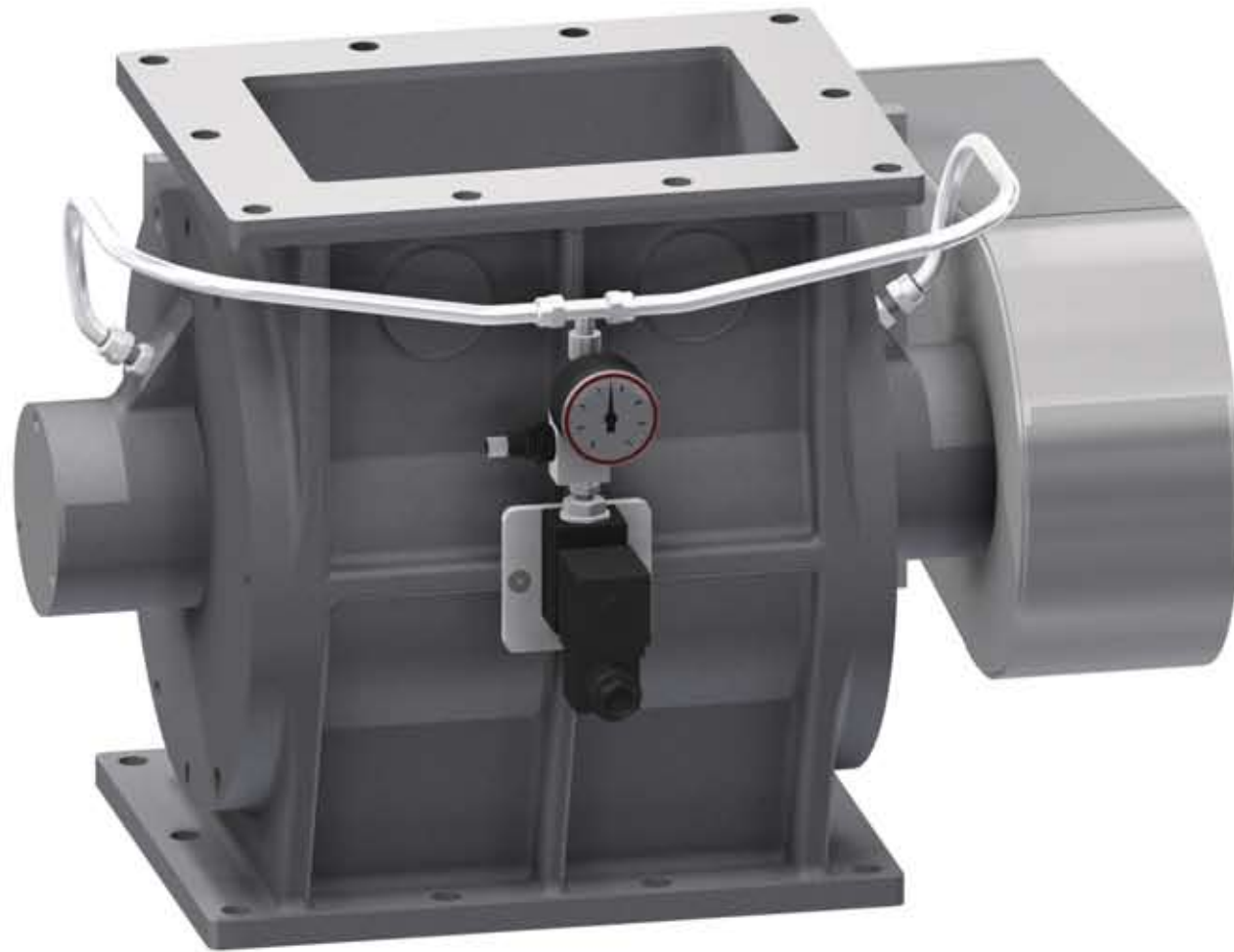
ROTATING SENSOR



POS	ITEM
1	SENSOR CAM
2	SENSOR COVER
3	SENSOR

AVAILABLE FOR ALL MODELS

AIR BLOWING-IN



VS	200	250	320	400	480
	1/8" GAS	1/8" GAS	1/8" GAS	1/4" GAS	1/4" GAS



HIGH TEMPERATURE
WITH SPECIAL TOLERANCE
OR EXTERNAL BALL-BEARINGS
VERSION

DETACHABLE
AVAILABLE FOR
ALL MODELS



**VALVE MOUNTED
ON PLATFORM**



**VALVE
MOUNTED
ON TROLLEY**

